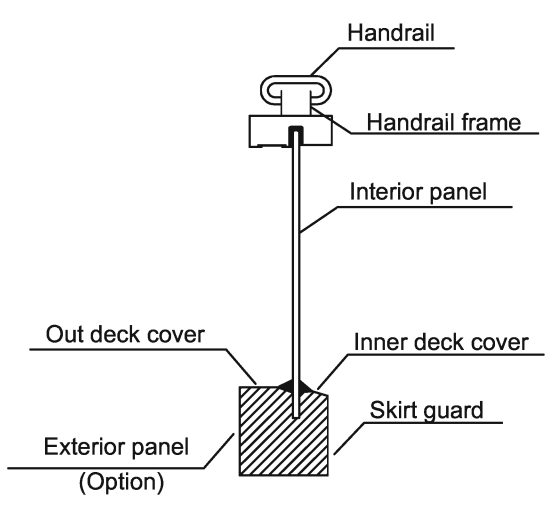
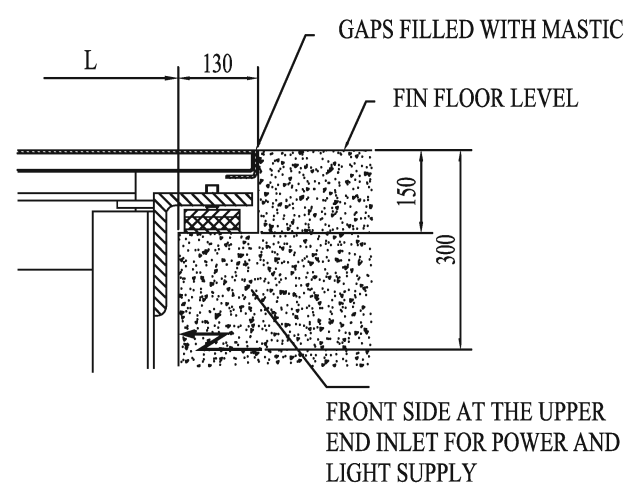
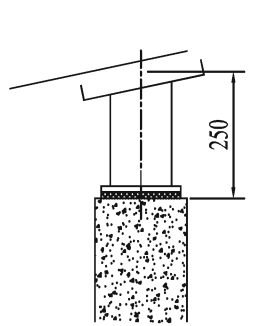
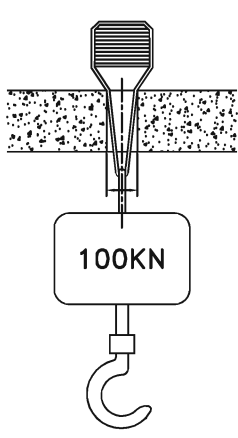


A DETAIL

B DETAIL

C DETAIL



	YSS80	YSS100
A	800	1000
B	1100	1310
C	1400	1600
D	1460	1660
E	2000	2200
F	1300	1500

BASIC SPECIFICATION FOR LAYOUT

Contract No.		No. of Lifts	
Type of conveyor	YSS 12 /80G		
Rated Speed	0.5 (m/s)	No. of Passengers	9000(man/hour)
Rise	4.0 (m)	Power	11 (KW)
Netweight	133 (KV)	Load Ro	51 (KV)
Load Ru	49 (KV)	Load S1/S2	112 (KV)

REMARKS

- In the case of units installed parallel to each other gaps should be minimized by pushing both units together leaving a minimum gap of 10 mm.
- requirement to Power:
380V, 3-Phase 50Hz Max Voltage Deviation Allowed ±7%.

The client hereby agrees to the specification and dimensions per drawing

Approved	CFM by the Responsible	CFM by the firms
----------	------------------------	------------------

Reconfirmation is Necessary for Later Amendments date.

Client

Constructional Arrangement	Drawing No.
----------------------------	-------------



Page	Total
Drawing	
Checked	
Approved	
Date	2006-11